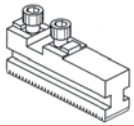


Base Jaws and Monoblok Jaws

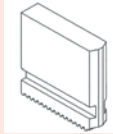
Page



Slot/Tenon Hard Base Jaws

- For quick change jaw chucks

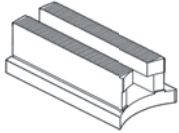
136 - 139



Monoblok Soft Jaws

- For quick jaw change chucks

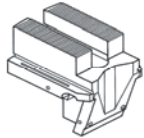
140 - 141



Serrated Base Jaws

- For quick change jaw chucks

141



Replacement Base Jaws

- For power chucks

141

Slot/ Tenon Hard Base Jaws

Monoblok Soft Jaws

	Page	Page
FORKARDT	136-137	141
KITAGAWA	138-139	140
RÖHM	136-137	141
SCHUNK	136-137, 138-139	140, 141
SMW	138-139	140, 141
SMW-AUTOBLOK	136-137, 138-139	140

THAME WORKHOLDING

Field End, Thame Road, Long Crendon, Aylesbury, Bucks, HP18 9EJ England
 Telephone: + 44 (0)1844 208050 Fax: + 44 (0)1844 201699
 E-mail: sales@thameworkholding.com Web: www.thameworkholding.com

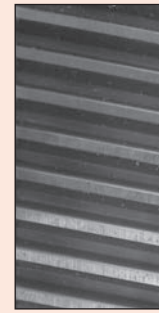
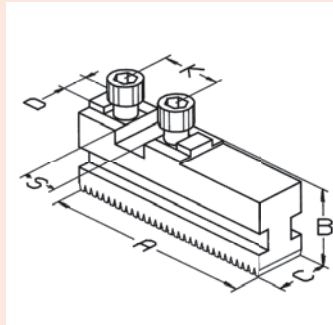
Slot/Tenon Hard Base Jaws

For Quick Jaw Change Chucks

Material:

- Steel:

Chuck Ø 160mm - 630mm



ANGLED TEETH

THAME PART No.	A	B	C	D	K	S	BOLT TYPE	WEIGHT Kg/Set
MFG 160	74	29.5	20	8	32	18	M8	0.8
MFG 200	90	35	22	10	40	20	M8	1.2
MFG 250	110	40	26	12	40	20	M12	2.0
MFG 315	125	46	32	12	54	26	M12	3.3
MFG 400	160	55	45	18	60	30	M16	7.3
MFG 630	230	58	65	24	82	40	M20	17.1

Base Jaws & Monoblok Jaws

THAME WORKHOLDING

Field End, Thame Road, Long Crendon, Aylesbury, Bucks, HP18 9EJ England
 Telephone: + 44 (0)1844 208050 Fax: + 44 (0)1844 201699
 E-mail: sales@thameworkholding.com Web: www.thameworkholding.com

FORKARDT	SCHUNK	RÖHM	SMW-AUTOBLOK
F160; F+160; FNC 175; KTNCV 175; KTNC 160	Rota S 160 Rota S plus 160	Duro 160 Duro NC 160 Duro NC 175 Duro NCE 160	HG-F 160
F 200; F+200; FNC 200; KTNCV 200; KTNC 200;	THW 210 F Rota S 200 Rota S plus 200 Rota NC-WF 210	Duro 200 Duro NC 200 Duro NCE 200 Duro NC 225	HG-F 210
F 250; F+250; UNC 250/315; KTNC 250; KTNC 280; KTNC 315; KTNCV 250; KTNCV 315; FNC 250/315	THW 250F THW 265F Rota S 250 Rota S plus 250 Rota NC-WF 250 Rota NC-WF 315	Duro 250 Duro NC 250 Duro NCE 250 Duro NCE 315	HG-F 260
F 315; F+315; UNC 400; KTNC 360; KTNC 400; KTNCV 400; FNC 400	THW 315F Rota S 315 Rota S plus 315 THW 400F	Duro 315 Duro NC 315 Duro NCE 400	HG-F 315
F 400; F+400; F 500 L; UNC 500; KTNC 500; KTNC 630; KTNCV 500; KTNCV 630; FNC 500/630	THW 500F Rota S 400 Rota S 500 Rota S plus 400 Rota S plus 500	Duro 400 Duro 500 Duro NC 400 Duro NC 500 Duro NCE 500	HG-F 400 HG-F 500
F 630; F+630	Rota S 630	Duro 630 Duro NC630	HG-F 630

THAME WORKHOLDING

Field End, Thame Road, Long Crendon, Aylesbury, Bucks, HP18 9EJ England
 Telephone: + 44 (0)1844 208050 Fax: + 44 (0)1844 201699
 E-mail: sales@thameworkholding.com Web: www.thameworkholding.com

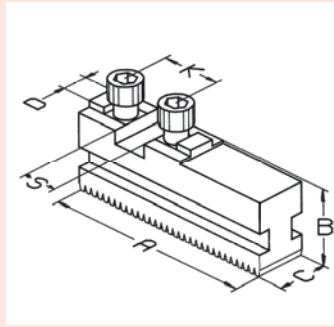
Slot/Tenon Hard Base Jaws

For Quick Jaw Change Chucks

Material:

- Steel:

Chuck Ø 140mm - 800mm



STRAIGHT TEETH

THAME PART No.	A	B	C	D	K	S	BOLT TYPE	WEIGHT Kg/Set
GBK 140	56	27.5	20	8	32	18	M8	0.6
GBK 160	65	27.5	20	8	32	18	M8	0.7
GBK 200	85	29.5	22	10	40	20	M8	1.0
GBK 250	104	37	26	12	40	20	M12	1.8
GBK 315	115	43	32	12	40	20	M12	2.7
GBK 400	125	43	32	12	54	26	M12	3.0
GBK 500	160	57	45	18	60	30	M16	7.1
GBK 630	200	57	45	18	60	30	M16	9.0

Base Jaws & Monoblok Jaws

THAME WORKHOLDING

Field End, Thame Road, Long Crendon, Aylesbury, Bucks, HP18 9EJ England
 Telephone: + 44 (0)1844 208050 Fax: + 44 (0)1844 201699
 E-mail: sales@thameworkholding.com Web: www.thameworkholding.com

KITAGAWA	SCHUNK	SMW	SMW-AUTOBLOK
QJ306		KNCS 140	KNCS-N 140
	THW 165; ROTA THW plus 165-185; ROTA THW 165; ROTA NCW 185; ROTA-G 160	KNCS 160; KNCS 175; KNSP 160; HG 160; RMG 160	KNCS-N 170 HG-N 160
QJ308	THW 210-R; ROTA THW plus 215; ROTA THW 210; ROTA THW vario 215; ROTA-G 200; ROTA NCW 225	KNCS 200; KNCS 210; KNSP 200; HG 200; RMG 200	KNCS-N 210 KNCS-N 225 HG-N 210
QJ310	THW 250-265-R; ROTA THW plus 260; ROTA THW 250; ROTA-G 250; ROTA NCW 265	KNCS 250; KNCS 260 HG 250; RMG 200	KNCS-N 260 HG-N 260
QJ312	THW 315-R; ROTA THW plus 315; ROTA THW 315; ROTA NCW 315; ROTA-G 315	KNCS 315 HG 315	KNCS-N 315-91 HG-N 315
QJ15	THW 400-R; ROTA THW 400; ROTA-G 400	KNCS 400 HG 400 RMG 315	KNCS-N 400 HG-N 400
QJ21	THW 500-R; ROTA THW 500; ROTA-G 500;	KNCS 500 HG500	KNCS-N 500 HG-N 500
QJ24	THW 630-R; ROTA THW 630; ROTA THW 800	KNCS 630 HG 630	KNCS-N 630 HG-N 630

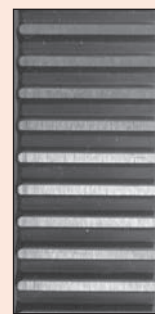
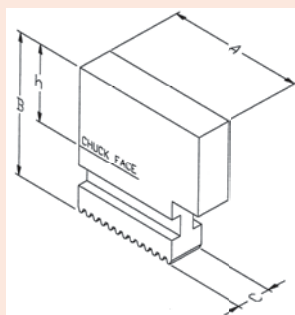
THAME WORKHOLDING

Field End, Thame Road, Long Crendon, Aylesbury, Bucks, HP18 9EJ England
 Telephone: + 44 (0)1844 208050 Fax: + 44 (0)1844 201699
 E-mail: sales@thameworkholding.com Web: www.thameworkholding.com

Monoblok Soft Jaws

To Suit Quick Jaw Change Chucks

- Material : 15CrNi6



STRAIGHT TEETH

To suit • Kitagawa • SMW-Autoblock • Schunk

THAME PART No.	A	B	C	h	WEIGHT Kg/SET	KITAGAWA	SMW-AUTOBLOK	SCHUNK
UVB 140	58	60	20	39	1.1		KNCS 140 KNCSN 140	
UVB 160	69	60	20	39	1.3	QJ 306	KNCS 160 KNCS 175 KNCSN 170 KNSP 160 RMG 160 HG 160 HGN 160 KNCS-N170	THW 165 R Rota-G 160 Rota NC-W185 ROTA THW plus 165-185 ROTA THW 165
UVB 200	84	70	22	45	2.0	QJ 308	KNCS 200 KNCSN 210 KNCSN 225 KNSP 200 RMG 200 HG 200 HGN 210	THW 210 R Rota-G 200 Rota NC-W225 ROTA THW 210 ROTA THW plus 215 ROTA THW vario 215
UVB 250	107	90	26	61	4.2	QJ310	KNCS 250 KNCS 260 KNCSN 260 RMG 250 HG 250 HGN 260	THW 250 R THW 265 R Rota-G 250 Rota NC-W265 ROTA THW 250 ROTA THW plus 260
UVB 315	118	100	32	66	6.6	QJ312	KNCS 315 KNCSN 315 HG315 HGN 315	THW315 R Rota-G 315 Rota NC-W315 ROTA THW 315 ROTA THW plus 315
UVB 400	145	100	32	66	9.0	QJ15	KNCS 400 KNCSN 400 RMG315 HG 400 HGN 400	THW 400 R Rota-G 400 Rota NC-W400 ROTA THW 400
UVB 500	175	134	45	87	19.5	QJ21	KNCS 500 KNCSN 500 HG 500 HGN 500	THW 500 R Rota-G 500 ROTA THW 500
UVB 600	230	134	45	87	27.5	QJ24	KNCS 630 KNCSN 630 HG 630 HGN 630	THW 630 R ROTA THW 630 ROTA THW 800

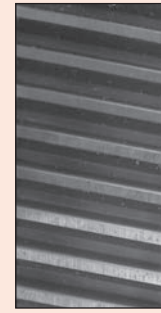
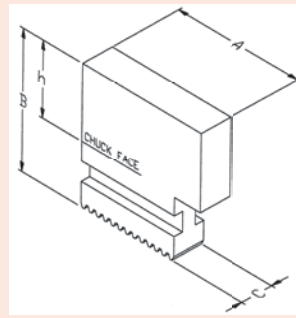
Base Jaws & Monoblok Jaws

THAME WORKHOLDING

Field End, Thame Road, Long Crendon, Aylesbury, Bucks, HP18 9EJ England
 Telephone: + 44 (0)1844 208050 Fax: + 44 (0)1844 201699
 E-mail: sales@thameworkholding.com Web: www.thameworkholding.com

Monoblok Soft Jaws To Suit Quick Jaw Change Chucks

- Material : 15CrNi6



ANGLED TEETH

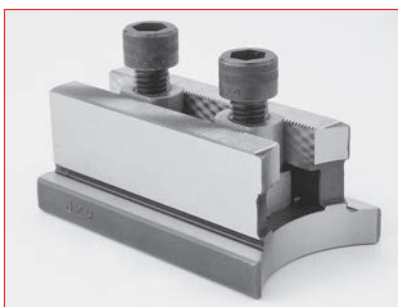
To suit • Forkardt • Röhm • Schunk • SMW

THAME PART No.	A	B	C	h	WEIGHT Kg/SET	FORKARDT	RÖHM	SCHUNK	SMW
BL 160	79	45	20	24	1.4	F 160 F+ 160 KTNC 160 KTNCV 175 FNC 175	DURO160 DURO-NC 160 DURO-NC 175 DURO-NCE 160	Rota-S 160 Rota-S plus 160	HGF 160
BL 200	94	60	22	35	2.5	F 200 F+200 KTNC 200	DURO 200 DURO-NC 200	THW 210 F Rota-S 200	HGF 210
BL 200 H	94	80	22	55	2.8	KTNCV 200 FNC 200	DURO-NCE 200 DURO-NC 225	Rota-S plus 200 Rota NC-WF 210	
BL 250	115	70	26	40	4.3	F 250 F+250 KTNC 250/280/315 KTNCV 250/315	DURO 250 DURO-NC 250 DURO-NCE 250/315	THW 250-F THW 265-F Rota-S 250	HG-F 260
BL 250 H	115	100	26	70	4.8	UNC 250/315 FNC 250/315		Rota-S plus 250 RotaNC-WF 250 Rota NC-WF 315	
BL 315	140	81	32	46	7.3	F 315 F+315 KTNC 360/400 KTNCV 400	DURO 315 DURO-NC 315 DURO-NCE 400	THW 400 F Rota-S 315 THW315F Rota-S plus 315	HGF 315
BL 315H	140	100	32	100	13.2	UNC 400 FNC 400			
BL 400	176	93	45	53	15.8	F 400/500L F+400 KTNC 500/630 KTNCV 500/630 UNC 500 FNC 500/630	DURO 400/500 DURO NC 400/500 DURO NCE 500	THW 500 F Rota-S 400 Rota-S 500 Rota-S plus 400 Rota-S plus 500	HGF400 HGF500

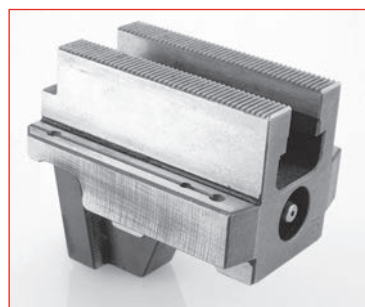
Base Jaws &
Monoblok Jaws

Serrated Hard Base Jaws

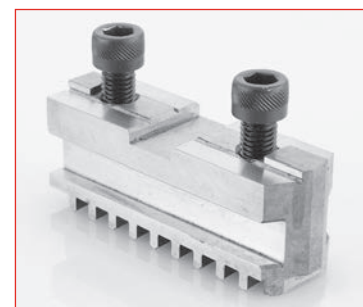
To suit • Quick Change and other Power Chucks



**Serrated Quick Change
Base Jaws**



**Replacement Wedge
Base Jaws**



Special Base Jaws

Please contact the Sales Office with details of your chuck.

THAME WORKHOLDING

Field End, Thame Road, Long Crendon, Aylesbury, Bucks, HP18 9EJ England
Telephone: + 44 (0)1844 208050 Fax: + 44 (0)1844 201699
E-mail: sales@thameworkholding.com Web: www.thameworkholding.com