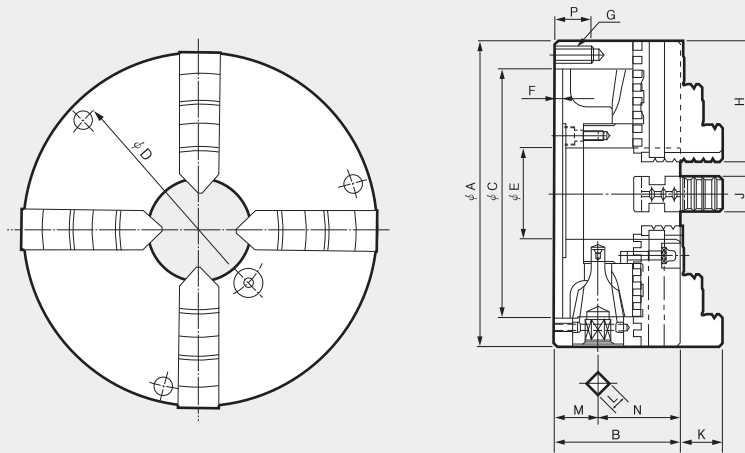


SF

4-Jaw Scroll Chuck (Hard Jaws)

- 4-jaw scroll chuck with solid jaws (incl. internal and external hard jaws)

SCROLL CHUCK



Dimensions

| | ϕA | B | $\phi C(H6)$ | ϕD | ϕE | F | G | H | J | K | L | M | N | P |
|-------------|----------|----|--------------|----------|----------|---|-------|-----|----|-------|----|------|------|----|
| SF-190(7") | 192 | 75 | 155 | 172 | 57 | 5 | 3-M10 | 75 | 22 | 30.06 | 11 | 27.5 | 47.5 | 20 |
| SF-230(9") | 232 | 84 | 190 | 210 | 75 | 6 | 3-M12 | 85 | 24 | 35.04 | 12 | 29.5 | 54.5 | 25 |
| SF-273(10") | 273 | 86 | 230 | 250 | 89 | 6 | 3-M12 | 98 | 28 | 40.02 | 12 | 31.5 | 54.5 | 25 |
| SF-310(12") | 310 | 96 | 260 | 285 | 100 | 7 | 3-M12 | 110 | 30 | 45.08 | 14 | 31.5 | 64.5 | 25 |

Specifications

| Type | Max. Static Gripping Force | Clamping Range | | Handle Torque | Max. R.P.M. | Weight | GD ² |
|-------------|----------------------------|----------------|----------------|-----------------------------|-------------------------------------|---------------|--|
| | | External [qmm] | Internal [qmm] | | | | |
| SF-190(7") | [kN(kgf)] 31(3161) | 4~180 | 56~170 | [N·m(kgf·m)] 107.9(11.0) | [min ⁻¹ (r.p.m)] 3500 | [kgf] 12.5 | [N·m ² (kgf·m ²)] 2.45(0.25) |
| SF-230(9") | 37(3773) | 5~220 | 62~210 | 147(15.0) | 2900 | 21.5 | 6.37(0.65) |
| SF-273(10") | 46(4691) | 5~260 | 70~250 | 176.5(18.5) | 2500 | 28 | 9.90(1.01) |
| SF-310(12") | 55(5608) | 10~300 | 86~290 | 206(21.0) | 2200 | 41 | 23.0(2.35) |

※ Specifications are subject to change without notice.